

Figs. 1377 Red & Green Side Lights  
 Figs. 1378 Masthead  
 Figs. 1379 Stern & Towing Lights  
 Figs. 1380 All-Round Lights



### INSTALLATION INSTRUCTIONS for Cat. Nos. 1377 - 1380 Series LED Navigation Lights

The above lights are designed for use on vessels over 20 meters (65.6 ft.) in length, operating on a either a 12/24 VDC or 120/240 VAC volt electrical system. In order to comply with the '72 COLREGS and the U.S. Inland Rules, the following must be adhered to:

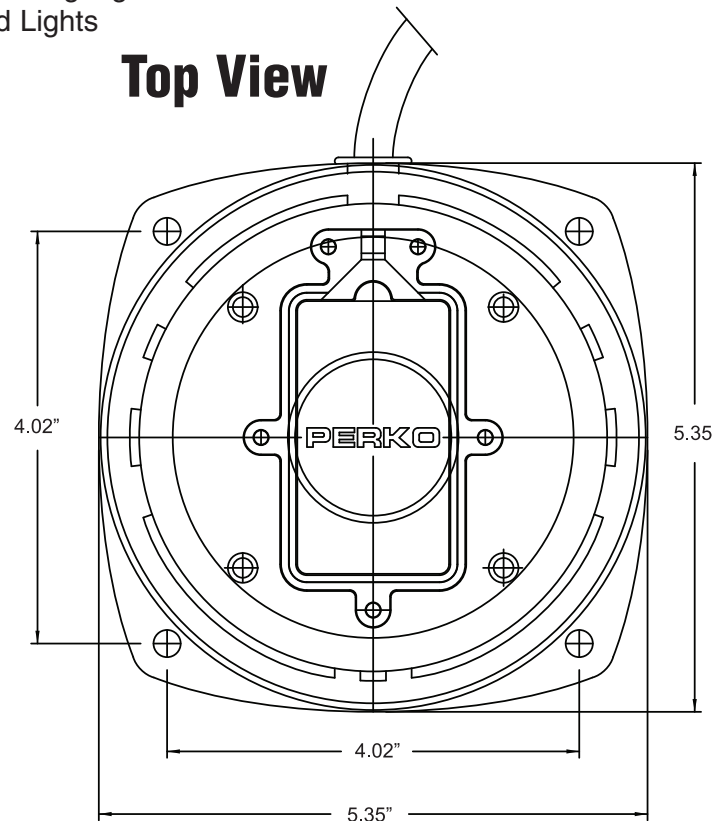
#### MOUNTING INFORMATION

Read all instructions before proceeding.

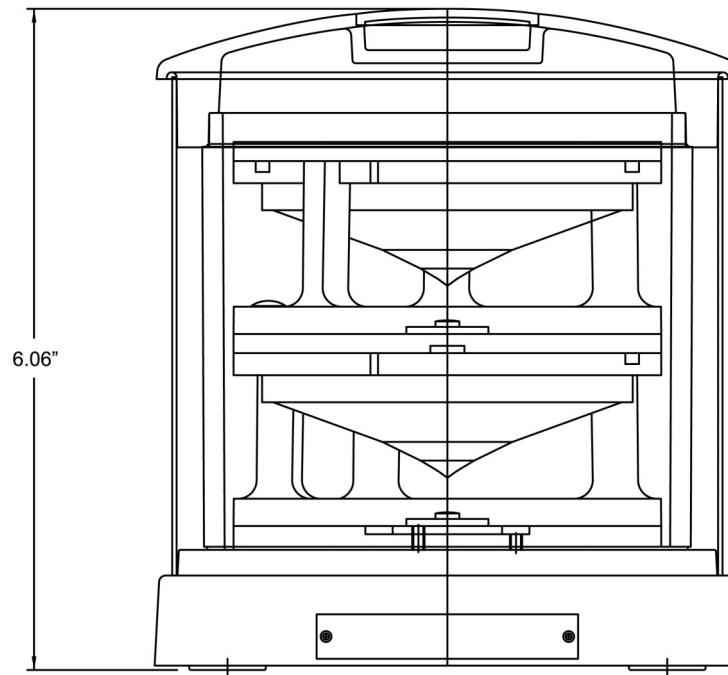
- (1). These instructions describe the installation of the lights after the proper mounting location has been determined. For proper light selection, positioning and configuration, refer to the '72 COLREGS\*, U.S. Inland Navigation Rules\* and/or other governing requirements applicable to the type and class of vessel.
- (2). These lights are designed to be mounted on a horizontal surface.
- (3). All electrical supply connections must be accomplished in accordance with applicable marine electrical standards and regulations and by a qualified marine electrician.
- (4). Proper light must be selected in accordance with the identification plate mounted on the light and must match the supply voltage to that light (12/24 VDC or 120/240 VAC).
- (5). Record information from the identification plate onto the "Navigation Light Certificate of Compliance" and store with the vessel's documents.
- (6). Align light by making sure that a reference line drawn through the fore-aft marks on the light is parallel to the fore-aft centerline of the vessel.
- (7). Using the mounting template, mark the mounting surface and drill for 3/8 inch bolts.
- (8). After bolting in place, re-check alignment.

\*The above referenced regulations can be obtained from:  
 U.S. Coast Guard, Washington, D.C. 20593 (or your local C.G. office)

### Top View



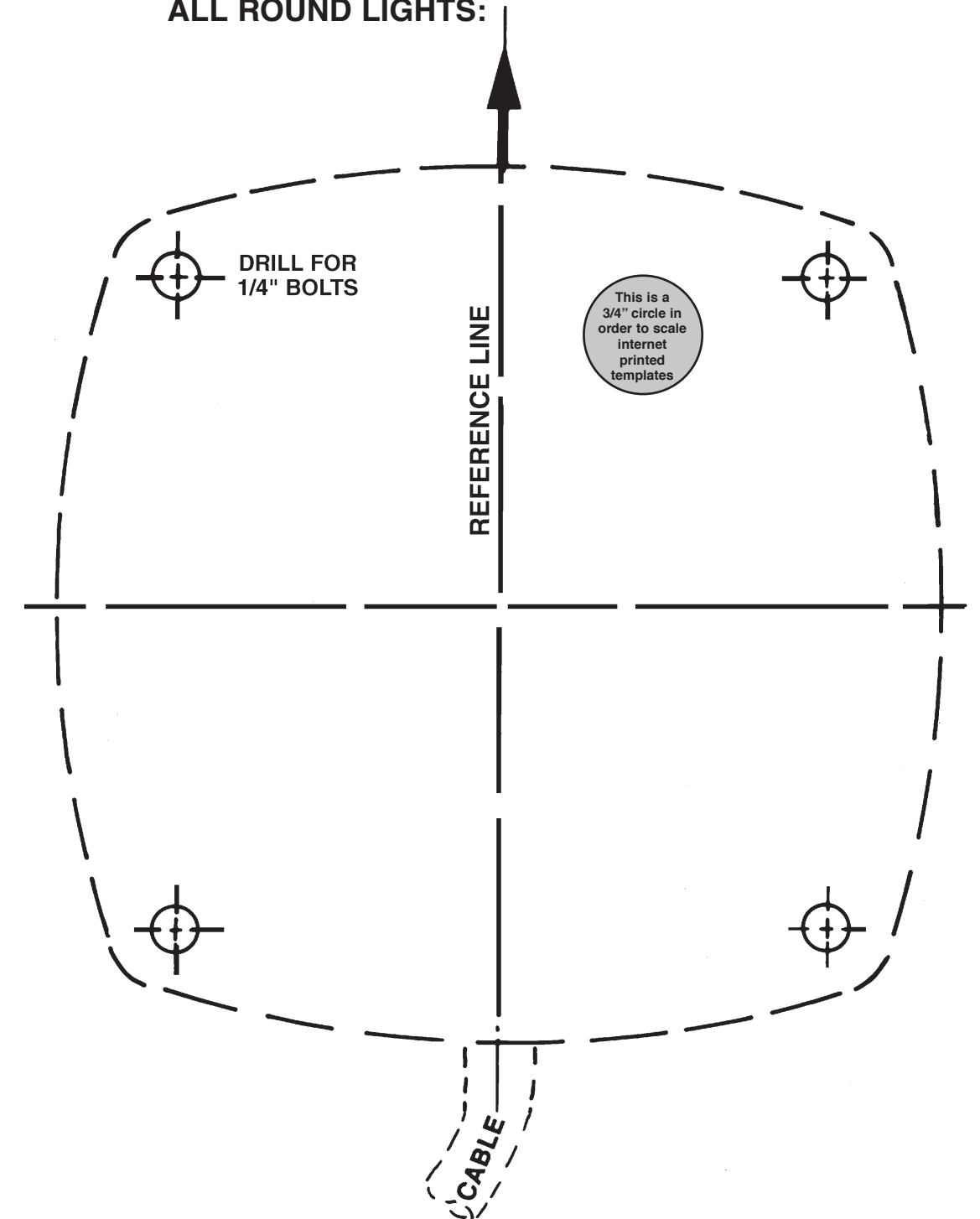
### Side View



REFERENCE LINE SHALL BE PARALLEL TO  
 CENTERLINE OF THE VESSEL AND POINTING:

- AHEAD FOR:  
 SIDE AND MASTHEAD LIGHTS
- ASTERN FOR:  
 STERN AND TOWING LIGHTS
- ANY DIRECTION FOR:  
 ALL ROUND LIGHTS:

CUT HERE TO REMOVE MOUNTING TEMPLATE



### MOUNTING TEMPLATE FOR CAT. NOS. 1377-1380 SERIES

### VISIBILITY SPECIFICATIONS FOR VESSELS 20 METERS (65.6 FT.) TO 50 METERS (164.0 FT.) IN LENGTH

| BASIC AND CAT. NO. | SUFFIX AND HOUSING COLOR BLACK OR WHITE | L.E.D. DESCRIPTION                   | PRESCRIBED ARC | VISIBILITY N. MILES |
|--------------------|---|--------------------------------------|----------------|---------------------|
| 1377R00_           | BLK or WHT                              | RED SIDE LIGHT - 120/240 VAC         | 112-1/2°       | USCG 2nm            |
| 1377R01_           | BLK or WHT                              | RED SIDE LIGHT - 12/24 VDC           | 112-1/2°       | USCG 2nm            |
| 1377G00_           | BLK or WHT                              | GREEN SIDE LIGHT - 120/240 VAC       | 112-1/2°       | USCG 2nm            |
| 1377G01_           | BLK or WHT                              | GREEN SIDE LIGHT - 12/24 VDC         | 112-1/2°       | USCG 2nm            |
| 1378000_           | BLK or WHT                              | WHITE MASTHEAD LIGHT - 120/240 VAC   | 225°           | USCG 5nm            |
| 1378001_           | BLK or WHT                              | WHITE MASTHEAD LIGHT - 12/24 VDC     | 225°           | USCG 5nm            |
| 1379000_           | BLK or WHT                              | WHITE STERN LIGHT - 120/240 VAC      | 135°           | USCG 2nm            |
| 1379001_           | BLK or WHT                              | WHITE STERN LIGHT - 12/24 VDC        | 135°           | USCG 2nm            |
| 1379M00_           | BLK or WHT                              | YELLOW TOWING LIGHT - 120/240 VAC    | 135°           | USCG 2nm            |
| 1379M01_           | BLK or WHT                              | YELLOW TOWING LIGHT - 12/24 VDC      | 135°           | USCG 2nm            |
| 1380000_           | BLK or WHT                              | WHITE ALL-ROUND LIGHT - 120/240 VAC  | 360°           | USCG 2nm            |
| 1380001_           | BLK or WHT                              | WHITE ALL-ROUND LIGHT - 12/24 VDC    | 360°           | USCG 2nm            |
| 1380H00_           | BLK or WHT*                             | WHITE ALL-ROUND LIGHT - 120/240 VAC  | 360°           | USCG 5nm            |
| 1380H01_           | BLK or WHT*                             | WHITE ALL-ROUND LIGHT - 12/24 VDC    | 360°           | USCG 5nm            |
| 1380R00_           | BLK or WHT                              | RED ALL-ROUND LIGHT - 120/240 VAC    | 360°           | USCG 2nm            |
| 1380R01_           | BLK or WHT                              | RED ALL-ROUND LIGHT - 12/24 VDC      | 360°           | USCG 2nm            |
| 1380G00_           | BLK or WHT                              | GREEN ALL-ROUND LIGHT - 120/240 VAC  | 360°           | USCG 2nm            |
| 1380G01_           | BLK or WHT                              | GREEN ALL-ROUND LIGHT - 12/24 VDC    | 360°           | USCG 2nm            |
| 1380M00_           | BLK or WHT                              | YELLOW ALL-ROUND LIGHT - 120/240 VAC | 360°           | USCG 2nm            |
| 1380M01_           | BLK or WHT                              | YELLOW ALL-ROUND LIGHT - 12/24 VDC   | 360°           | USCG 2nm            |

\* THIS 5 MILE WHITE ALL-ROUND LIGHT IS OPTIONAL FOR GREAT LAKES USAGE IN ACCORDANCE WITH THE U.S. INLAND NAVIGATION RULES ACT OF 1980.

Note: The American Boat & Yacht Council (ABYC) took over control & management of the UL-1104 standard from Underwriters Lab about 5 years ago. ABYC publishes and maintains many marine standards and is well known & respected by the Coast Guard. ABYC is in the process of reviewing the UL-1104 standard. They plan to republish UL-1104 in 2017 unchanged except for the use of the new designation A-1104. This is consistent with the ABYC standard numbering system. Perko is now using both either standard designation (A-1104 and/or UL-1104) in our literature, instructions and markings.

|   |                      |
|---|----------------------|
| <b>PERKO®</b>   |                      |
| 16490 N.W. 13th Avenue  | Miami, FL 33169-5707 |
| Date: 4/2/13  | Drawn By: H. Ahmed   |
| Scale: None   | Revised: 10/15/18    |
| CAT. NOS. 1377-1380 SERIES LED<br>NAVIGATION LIGHTS DIMENSIONAL DRAWING |                      |

## **NAVIGATION LIGHT CERTIFICATE OF COMPLIANCE**

This navigation light has been tested and certified to the '72 COLREGS and the U.S. INLAND NAVIGATION RULES ACT OF 1980 in accordance with UL 1104 (ABYC A-1104). When properly installed, this light is approved by the U.S. Coast Guard for use aboard U.S. Coast Guard inspected vessels. This certification is also accepted by other inspecting authorities. An identification plate attached to the light provides official certification information in accordance with ABYC A-1104.

Upon installation, record information below from the identification plate, as applicable to the class of vessel on which the light is to be fitted.

Type of Light \_\_\_\_\_  
(Masthead, Stern, All-Round Etc.)

Cat. No. \_\_\_\_\_  
(1377R00BLK, 1380H00BLK, Etc.)

D.O.M. No. \_\_\_\_\_  
(Die Stamped)

Vessel Length \_\_\_\_\_

### Replacement Light Units

Single Light: \_\_\_\_\_ Voltage: \_\_\_\_\_  
(Cat No. of Light)

Date of Installation \_\_\_\_\_

Vessel Identification \_\_\_\_\_

10/18

PERKO, INC.  
16490 N.W. 13th Avenue  
Miami, FL 33169-5707  
www.perko.com