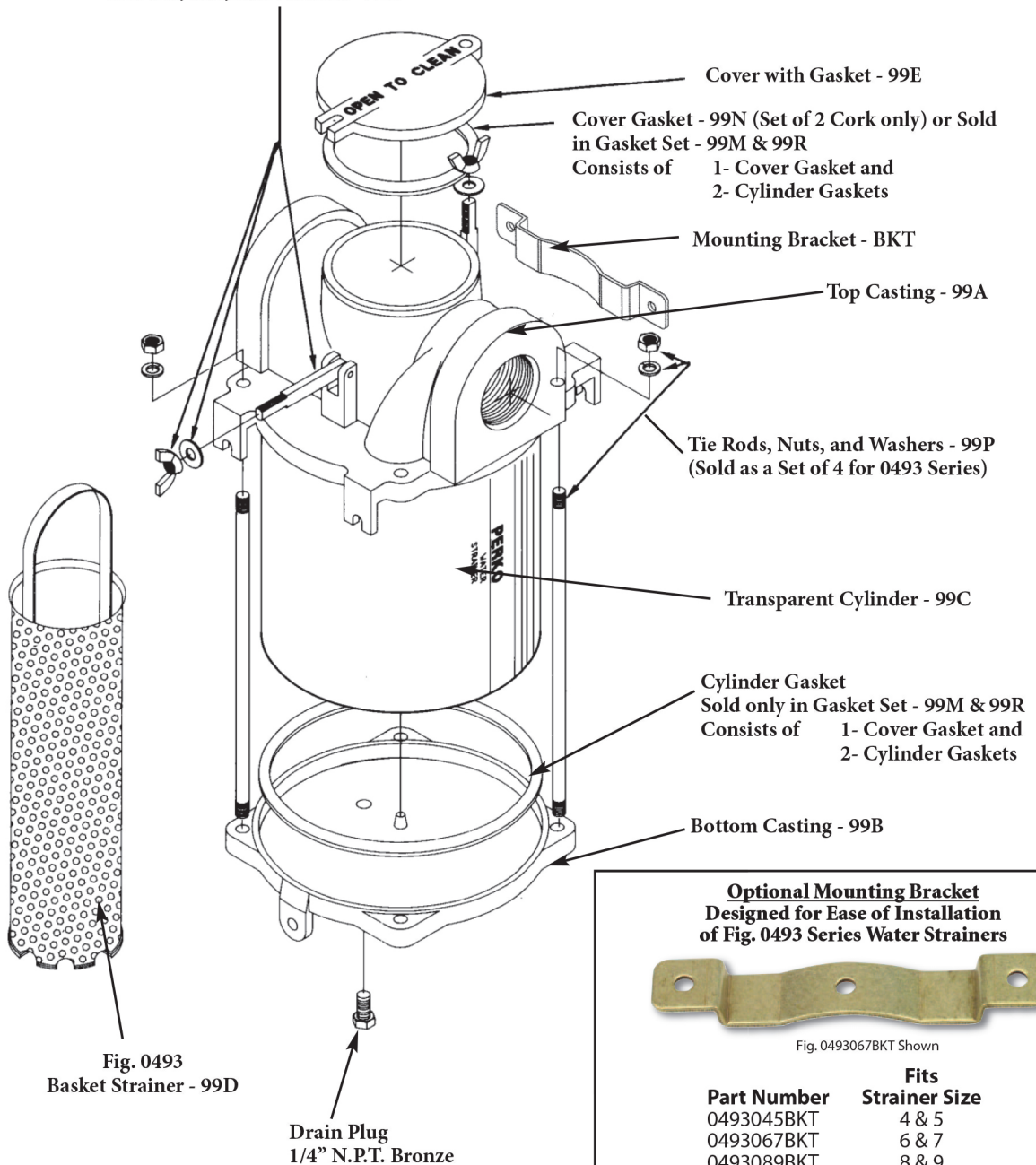


Fig. 0493 Intake Water Strainer Spare Parts

Hinged Bolt for Cover
with Pin, Nut, and Washers - 99L



**Optional Mounting Bracket
Designed for Ease of Installation
of Fig. 0493 Series Water Strainers**



Fig. 0493067BKT Shown

Part Number	Fits Strainer Size
0493045BKT	4 & 5
0493067BKT	6 & 7
0493089BKT	8 & 9

Spare Parts Ordering Information

For Spare Part No. Insert a Spare Part Code Listed Below in Place of the "PLB" in the Strainer's Catalog Number (i.e., 049300699A, Top Casting for 1" (#6) Strainer).

Description	Spare Part Code	Sample Part Number	Package	Description	Spare Part Code	Sample Part Number	Package
Top Casting	99A	049300499A	Boxed	Cork Gasket Kit Consists of:			
Bottom Casting	99B	049300499B	Boxed	1- Cover Gasket and			
Transparent Cylinder	99C	049300499C	Boxed	2- Cork Cylinder Gaskets	99M*	0493DP599M	Bag
Basket Strainer	99D	049300499D	Boxed	Rubber Gasket Kit Consists of:			
Cover with Gasket	99E	049300499E	Boxed	1- Cover Gasket and			
Hinged Bolt for Cover				2- Rubber Cylinder Gaskets	99R*	0493DP599R	Bag
With Pin, Nut and Washer	99L	0493DP599L	Bag	Tie Rods, Nuts, and Washers			
Cork Cover Gasket Kit (Set of 2)	99N	0493DP599N	Bag	Consists of (4 Each for 0493 Series)	99P	0493DP499P	Bag

* Note: Older model strainers utilizing cork cylinder gaskets must order 99M Cork Gasket Kit and newer model strainers must order 99R Rubber Gasket Kit.